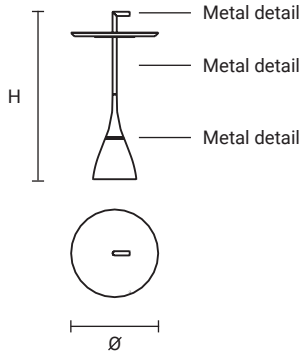


PINGO

Lattoog

ARMAZEM!design

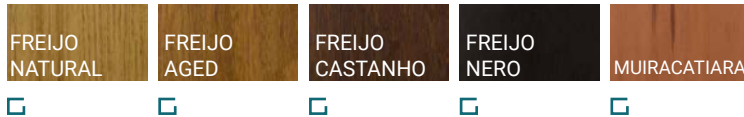


DIMENSIONS & LIST PRICE

13" Ø x 25 3/16" H \$795

FINISHES

WOOD



TOP

- FREIJO NATURAL
- FREIJO AGED
- FREIJO CASTANHO
- FREIJO NERO
- MUIRACATIARA
- MATTE LACQUER _____
- GLOSS LACQUER _____

BASE

- FREIJO NATURAL
- FREIJO AGED
- FREIJO CASTANHO
- FREIJO NERO
- MUIRACATIARA

METAL

- SATIN NICKEL
- BRASS
- COPPER

ORDER FORM

Designer: _____

Notes: _____

Customer Name: _____

Customer Signature: _____

Date: _____

Total: \$ _____

USE & CARE: Indoor use only. Avoid exposure to direct sun. Avoid direct contact with water. Clean with damp cloth. Do not use wax. Dust with a flannel cloth. Avoid dragging and lift with care.

**We work with natural raw materials using sustainable practices. The veins, tones and texture are particular to each individual natural element. The variation presented is a characteristic of wood in its natural state and no two pieces are alike.*